

REV.
C

SAE AS1655

SAE Technical Standards Board Rules provide that: "This report is published by SAE to advance the state of technical and engineering sciences. The use of this report is entirely voluntary, and its applicability and suitability for any particular use, including any patent infringement arising therefrom, is the sole responsibility of the user." SAE reviews each technical report at least every five years at which time it may be revised, reaffirmed, stabilized, or cancelled. SAE invites your written comments and suggestions.

RATIONALE

FEDERAL SUPPLY CLASS
4730

AS1655C HAS BEEN REAFFIRMED TO COMPLY WITH THE SAE FIVE-YEAR REVIEW POLICY.

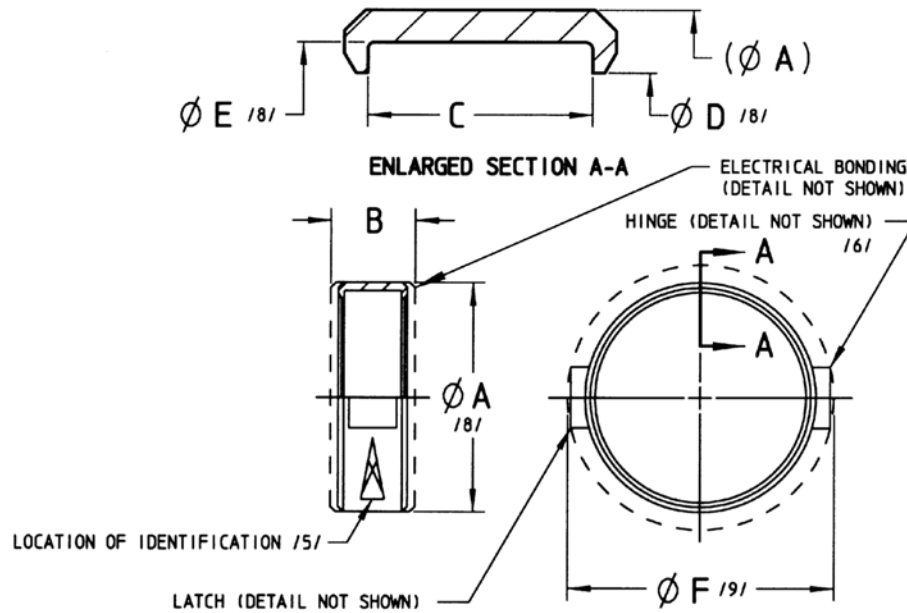


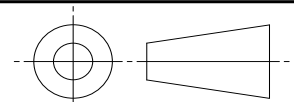
FIGURE 1 - COUPLING BODY

TABLE 1 - DIMENSIONS AND WEIGHTS /6/

BASIC NO. AS1655 /16/ SIZE CODE	NOM TUBE SIZE REF	A MAX /8/	B MAX	C +0.03 -0.07	D MAX /8/	E MIN /8/	F MAX /9/	LB/EA MAX ALUM	LB/EA MAX GRES	LB/EA MAX TI
08	.500	1.120	.891	.609	.640	.766	1.600	.035	.096	TBD
10	.625	1.200	.891	.609	.765	.891	1.720	.036	.102	TBD
12	.750	1.320	.971	.689	.925	1.071	1.850	.044	.121	TBD
16	1.000	1.540	1.051	.769	1.190	1.347	2.100	.054	.152	TBD
20	1.250	1.800	1.051	.769	1.440	1.597	2.350	.059	.166	TBD
24	1.500	2.080	1.051	.769	1.690	1.867	2.600	.066	.186	TBD
28	1.750	2.300	1.051	.769	1.940	2.118	2.850	.072	.197	TBD
32	2.000	2.580	1.091	.799	2.193	2.391	3.100	.084	.228	TBD
36	2.250	2.920	1.091	.799	2.443	2.640	3.350	.097	.274	TBD
40	2.500	3.080	1.091	.799	2.693	2.891	3.600	.107	.302	TBD
48	3.000	3.740	1.131	.799	3.193	3.391	4.120	.156	.440	TBD
56	3.500	4.240	1.131	.799	3.693	3.905	4.620	.188	.530	TBD
64	4.000	4.840	1.131	.799	4.193	4.411	5.120	.257	.725	TBD

SAE values your input. To provide feedback on this Technical Report, please visit <http://www.sae.org/technical/standards/AS1655C>

THIRD ANGLE PROJECTION



CUSTODIAN: G-3/G-3A

PROCUREMENT SPECIFICATION: /4/ AS1650

SAE Aerospace
An SAE International Group

AEROSPACE STANDARD

COUPLING BODY, THREADLESS - FLEXIBLE,
FIXED CAVITY, SELF-BONDING

SAE AS1655
SHEET 1 OF 3

REV. C

ISSUED 1992-03 REVISED 2007-07 REAFFIRMED 2013-01